

## Instructions of Safety and Warnings:

- Any failure to comply with the safety and installation instructions in this manual may cause serious bodily injury.
- Overlooking any part of the instructions, warnings and additional information marked with the "Note" and "⚠" may result in serious damage to the system or its components.
- Children should never be allowed to operate or touch the product without direct supervision of an adult. Users should prevent children from being near or around the desk during operation.
- Disabilities and/or lack of experience and knowledge should be prevented from using the product unless under supervision or assisted during use and operation.
- Never sit on or exceed the rated weight of the desk.



### Electrical Safety Instructions:

The product is powered by electricity. In order to avoid burns, fire and electric shock, please read the instructions carefully.



Don't clean the product with water while the power is still connected.



Don't disassemble or replace components while the power is still connected.



Never operate the system with a damaged cord or plug. Please contact your point of purchase to replace the damaged parts.



Never operate the system if it's in moist environment or its electrical components have contact with liquids.



Don't operate the system if the control box makes noise or odor. Alterations of the given power unit and control box aren't allowed.



### Other Safety Instructions:

- Remove any obstacles from the area around the desk during assembly and subsequent use.
- Organize all cords and wires to prevent any possible tripping or accidents from occurring.
- Never attempt to modify or change the desk frame or components that operate the desk.
- Don't add anything to the adjustable junctions of the desk frame.
- The desk is rated for Indoor Use Only.



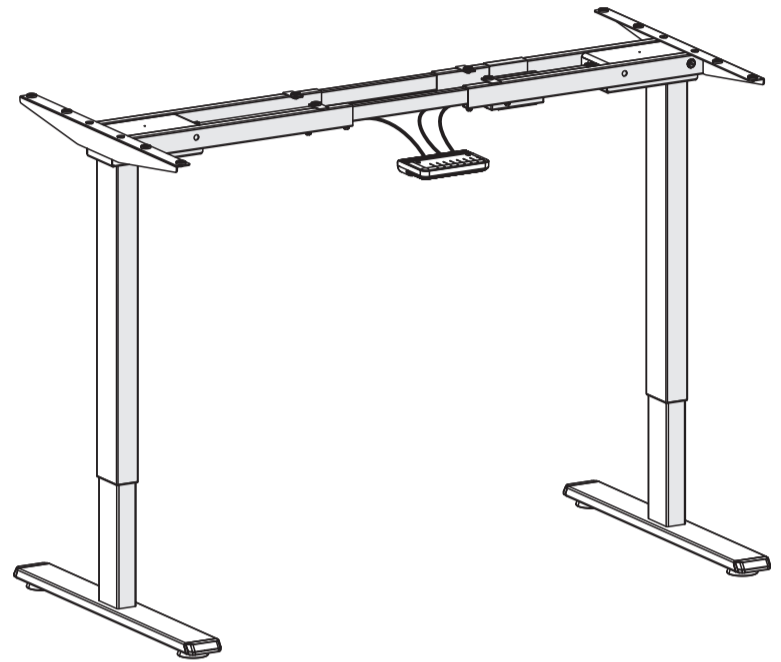
**Disposal:** The product with this mark indicates that this product shouldn't be disposed with other household wastes throughout the EU. To prevent possible harm to the environment or human health from uncontrolled waste disposal, recycle it responsibly to promote the sustainable reuse of material resources. To return your used device, please use the local recycle service or contact your point of purchase to withdraw the product.



# ELECTRIC SIT-STAND DESK

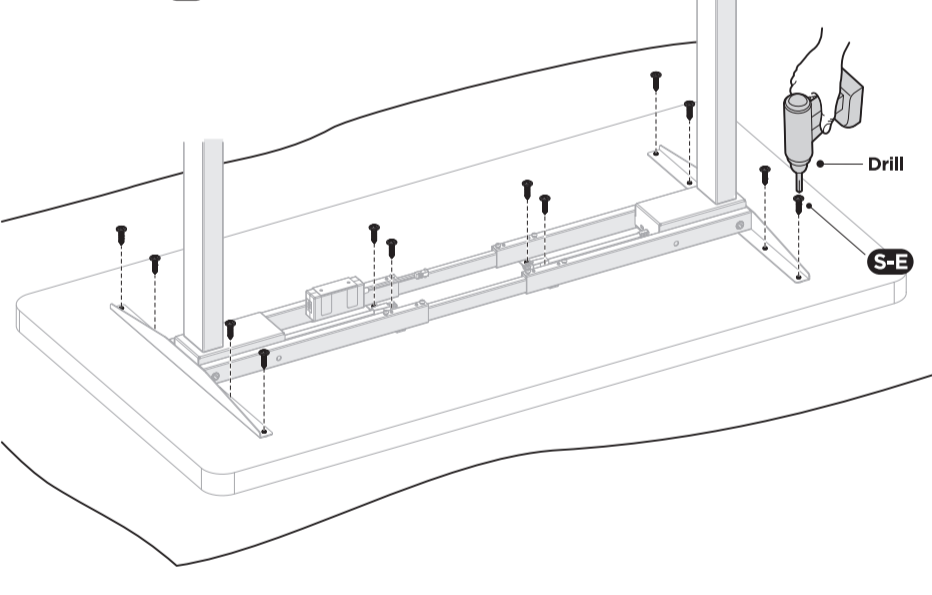
## Instruction Manual

MD-822



### 6. Drilling to the Desktop

- Attaching the assembled desk frame to the desktop through the mounting holes found on the Side Brackets and Crossbars as shown in the illustration using 12 ST4.2x16 Screws (S-E).

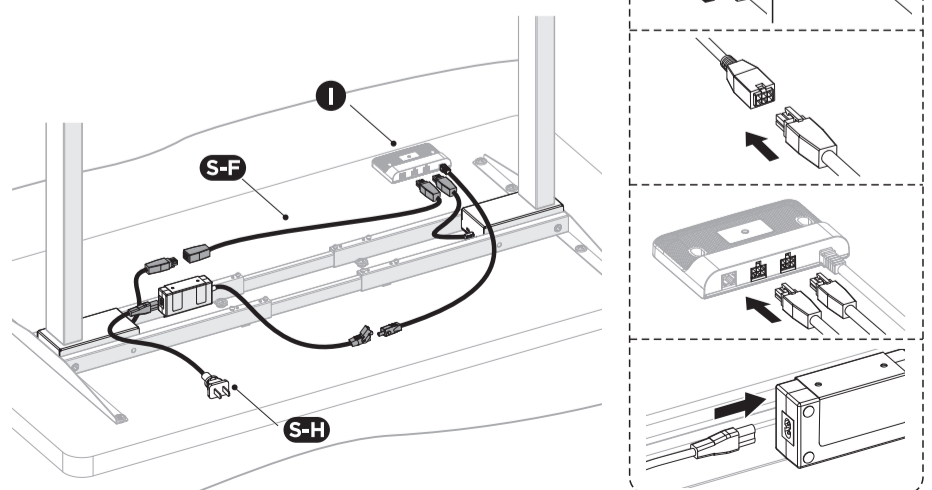


### 7. Connecting Cords

- Connect the Controller (I) with the AC Adapter as shown.
- Connect the Controller with 2 Lifting Columns. Use the Power Cable (S-F) for the Lifting Column on the far side.
- Insert the Power Plug (S-H) into the AC Adapter.

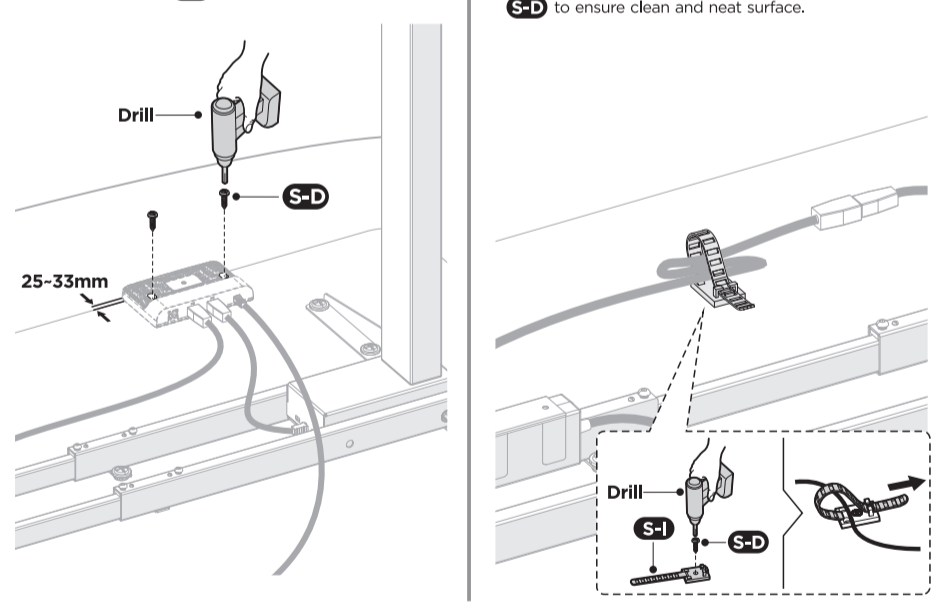
**Note:**

- Do not plug into the power before the desk is fully assembled.



### 8. Attaching the Controller

- Attach the Controller to the desktop using 2 ST4.2x16 Screws (S-D).



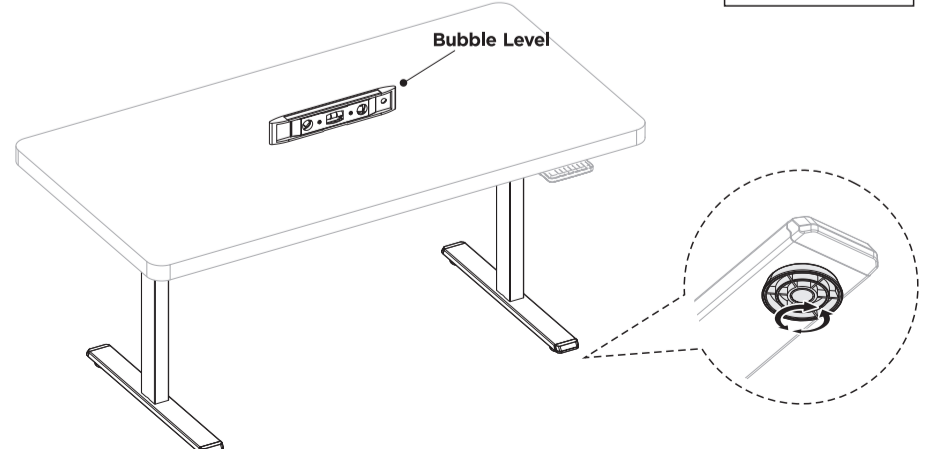
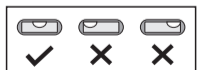
### 9. Cable Management

- Run the cables through the Cable Clips (S-I) and attach the Cable Clips to the desktop with ST4.2x16 Screws (S-D) to ensure clean and neat surface.

### 10. Adjusting the Desk

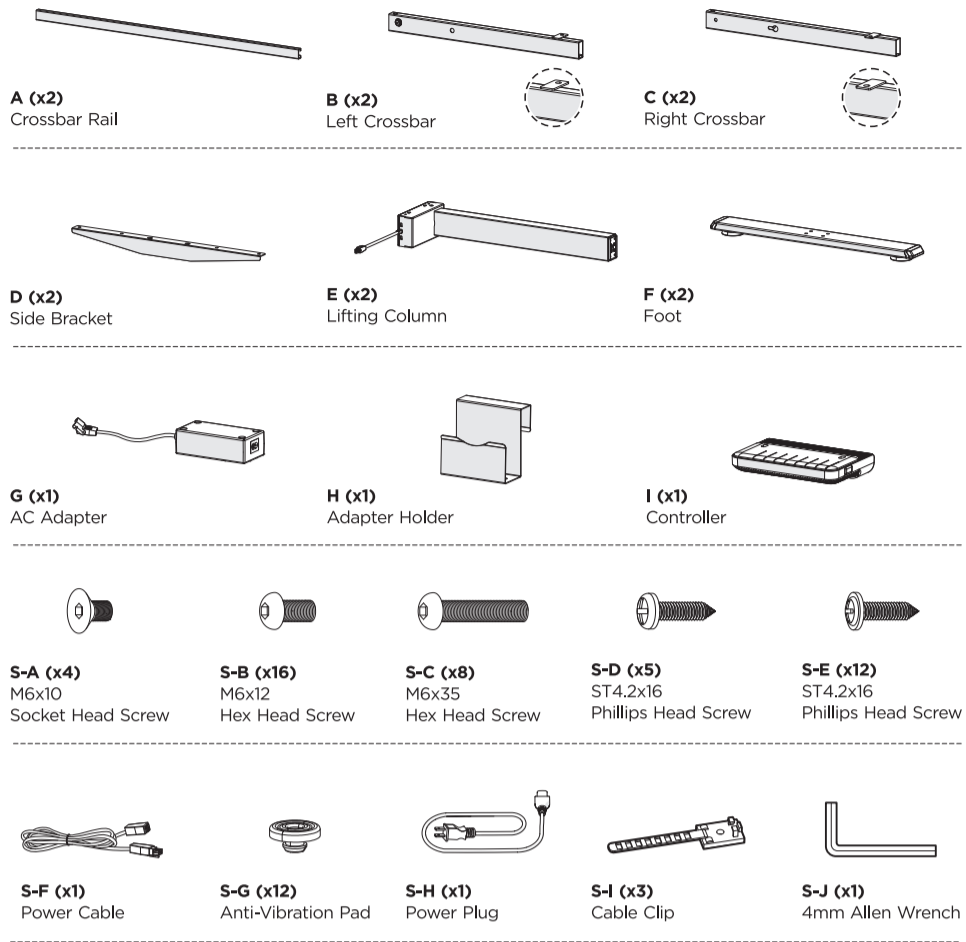
- Turn over the desk with the help of another person.
- There are two adjustable foot pads under each foot. If the floor isn't even, simply turn the pad to adjust the level to make the desk stable.
- Tip:** Use a bubble level (not included) to check if the desktop is even.
- Using the desk for the first time, you will need to reset the system. Please refer to Digital Control Panel User Guide.

**CAUTION:** At least two people are required when turning over the desk, or serious bodily injuries might occur.



## Checklist and Installation

Please check all of the components shown in the component checklist. If any of the components are missing or damaged, contact your point of purchase for a replacement.



**What important specifications should know before installation?**

Power Input (100-240V)

Operation Temperature (-5°C-+40°C)

Weight Capacity 100kg (220lbs)

**What tools are needed to assemble the desk frame?**

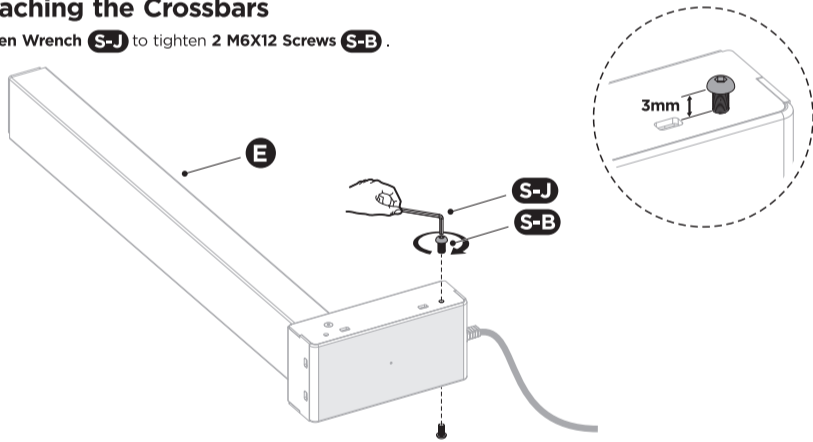
Bubble Level

Allen Wrench (Included)

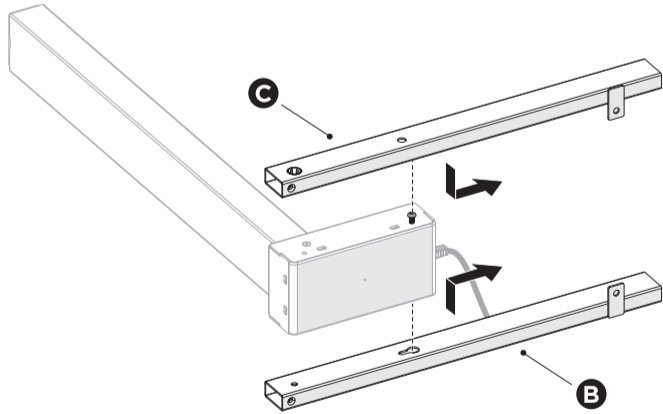
Drill

### 1. Attaching the Crossbars

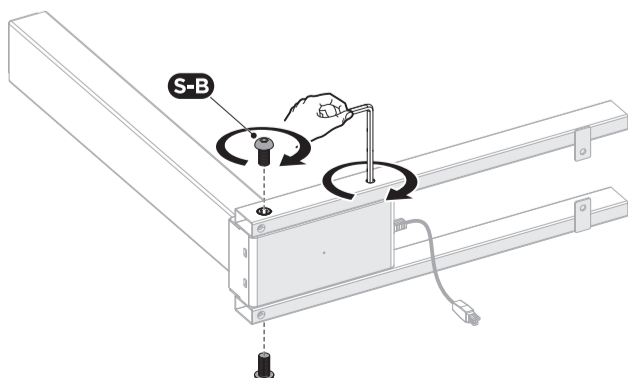
- Use Allen Wrench **S-J** to tighten 2 M6X12 Screws **S-B**.



- Attach the **Left Crossbar B** and the **Right Crossbar C** to the **Lifting Column E** as shown below.

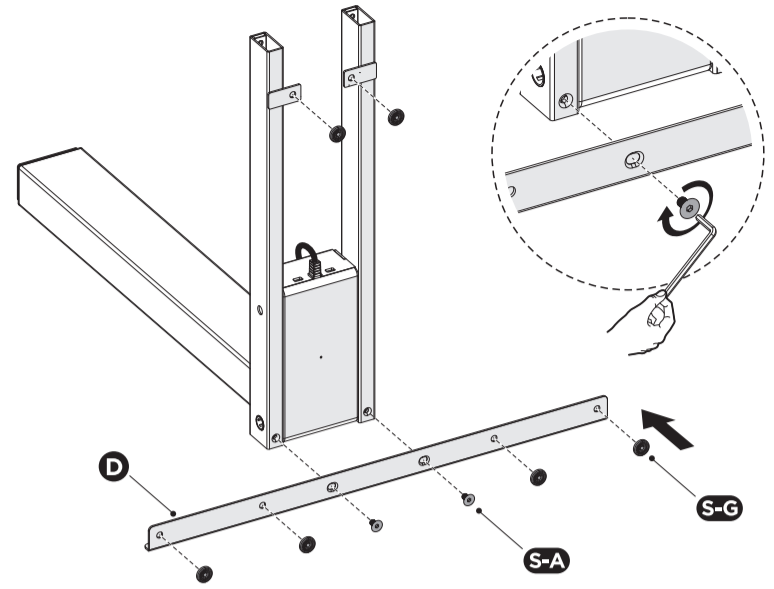


- Secure the crossbar using 2 M6X12 Screws **S-B** and tighten all the screws on the crossbar.
- Repeat the same process to attach the other two crossbars on the other side.



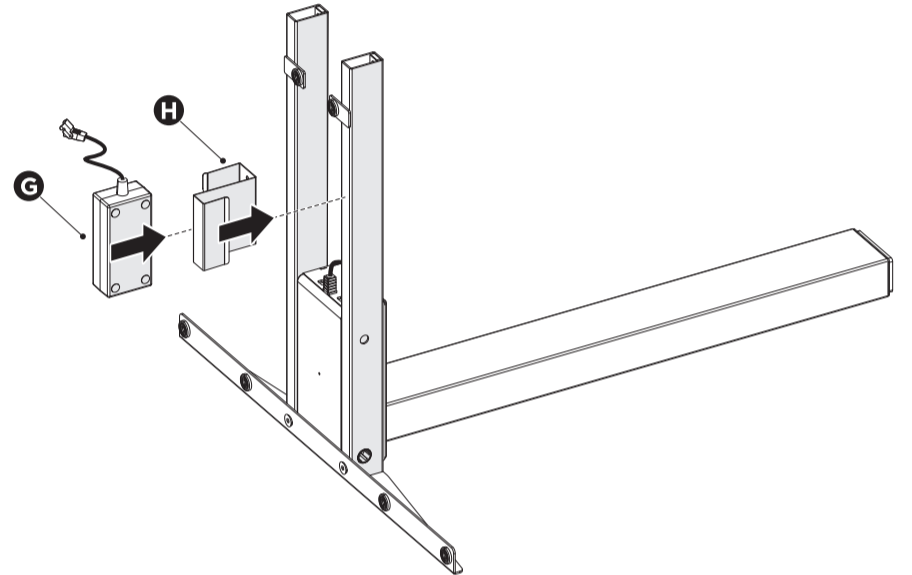
### 2. Attaching the Side Brackets

- Attach each **Side Bracket D** to the **Lifting Column E** using 2 M6x10 Screws **S-A**.
- Attach 6 **Anti-Vibration Pads S-G** to the **crossbars** and **Side Bracket D** as shown below.
- Repeat the same process to attach the other side bracket.



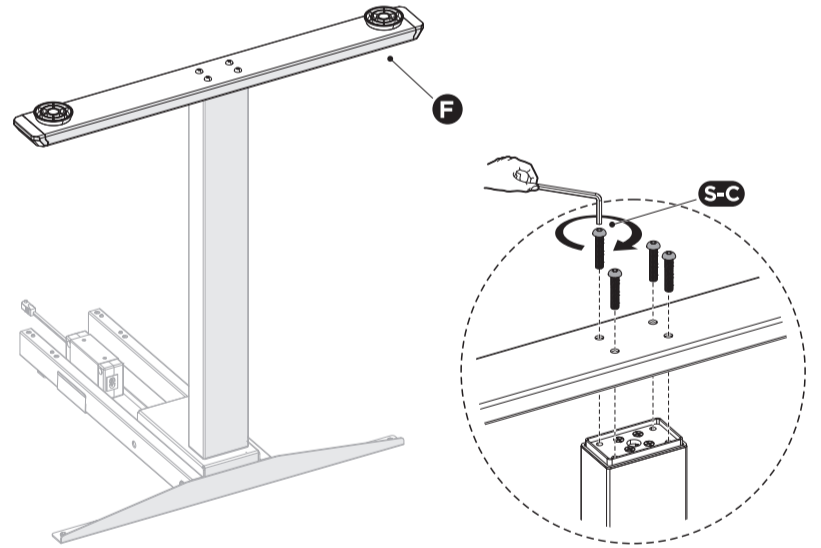
### 3. Attaching the AC Adapter

- Insert the **AC Adapter G** to the **Adapter Holder H**, then hang the holder on the **crossbar**.



### 4. Attaching the Feet

- Attaching the **Foot F** to the **Lifting Column E** using 4 M6x35 Screws **S-C**.
- Repeat the same process to attach the other foot.



### 5. Adjusting the Frame and Attaching the Crossbar Rail

- Carefully place the desktop (not included) upside down on the blanket/floor.
- Place the legs one on each side of the top as shown below.
- Adjust the crossbar to the size of the desktop. Ensure that the frame is placed in the center of the desktop.
- Attach the **Crossbar Rails A** as shown below.
- Secure the frame using 4 M6X12 Screws **S-B**.
- Tighten the screws on the crossbar.

